

BATCH WASTE WATER TREATMENT SYSTEM



ENVIRO SOLUTIONS

A DIVISION OF LST INDUSTRIES L.L.C.

SALES@ENVIROSOLUTIONS.COM

1 210 696 6300

ES brand batch-type WWTS have many options and designs to meet your plant's unique needs. Bilingual touch screen PLC in English and Spanish standard. Filter press optional.

- ✓ SIMPLEX OR DUPLEX TANKS
- ✓ HEAVY METALS PRECIPITATION
- ✓ HEXAVALENT CHROME REDUCTION
- ✓ CYANIDE DESTRUCTION
- ✓ 500 TO 8000 GALLON BATCHES



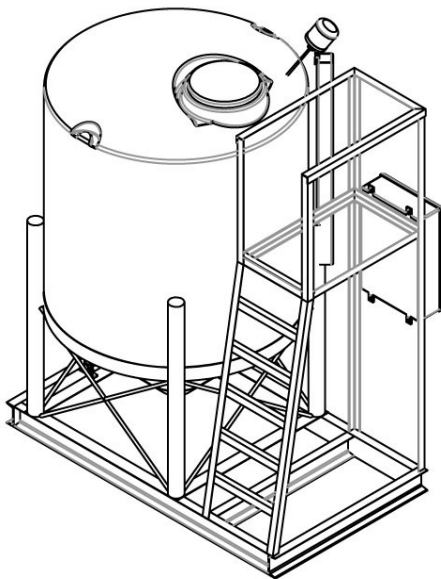
ENVIRO SOLUTIONS

625 HUMBLE AVE. | SAN ANTONIO, TX 78225 | USA
1 210 696 6300 | SALES@ENVIROSOLUTIONS.COM

Model	Gal. Cap.	GPM*
BT-0500	400	0.83 - 01.67
BT-1000	800	1.67 - 03.33
BT-1490	1040	2.48 - 04.97
BT-2500	2000	2.83 - 05.67
BT-3000	2400	5.00 - 10.00
BT-4900	3920	10.17 - 20.33

* Gallons per minute (GPM) based on 1 batch per 8 hour shift, and whether your system is a simplex or duplex reactor WWTS. Most processes allow for more than 1 batch per 8 hour shift

For Contaminants: Heavy Metals Precipitation,
Hexavalent Chrome Reduction, Cyanide
Destruction, Inks/Dyes



Enviro Solutions Brand

Batch-Type WWTS Includes

Polyethylene Cone-Bottom Reactor Tank

Modularized carbon steel frame

Touch screen master control panel

- Available in up to 8 languages.

Air operated chemical feed pumps for acid,
caustic, polymer, coagulant

Air operated diaphragm sludge pump

Centrifugal transfer pump

Air-operated mixer

pH and ORP sensors



Options

Integrated dual tank for collection, reaction,
or sludge thickening

Larger custom sizes available

Filter Press - Integrated or Separate

Your preference of electrical service

Please contact us for pricing. Your quote will be application specific, and may have more or less items than shown on this informational sheet.